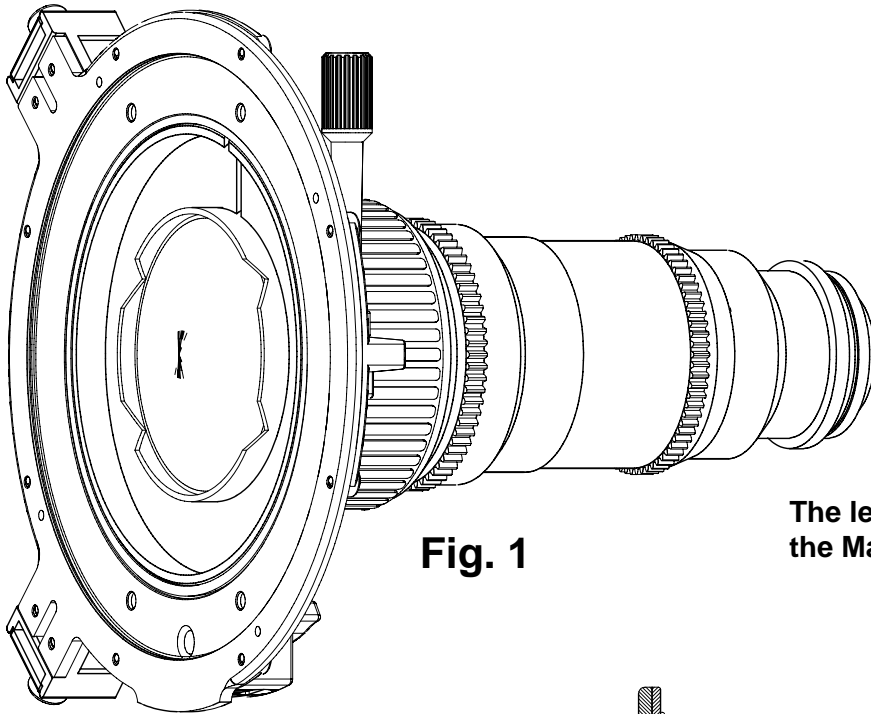


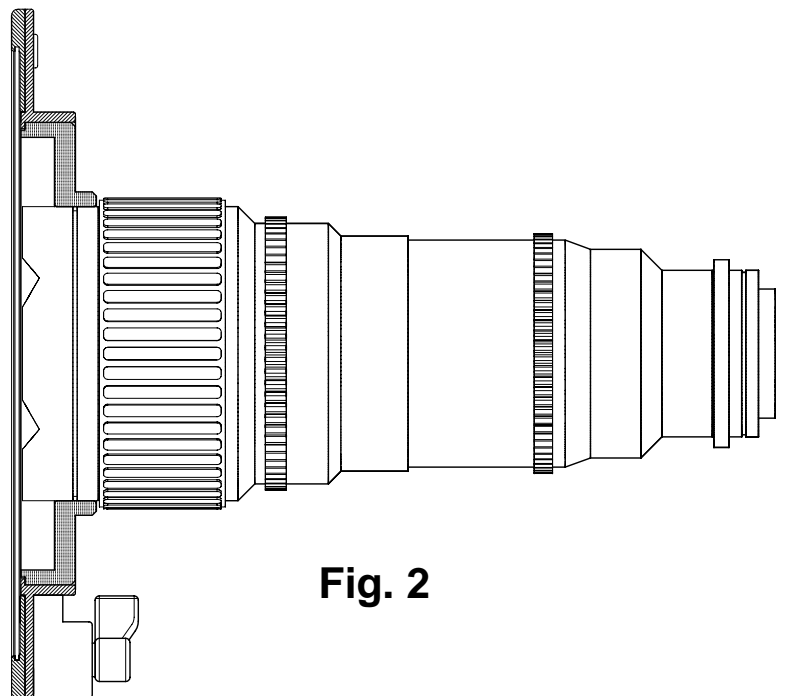
In order to facilitate the cut-outs at the front of the wide angle lenses, such as Canon HJ11 or Fujinon HA13, the lens inserts have a step like design.



**Fig. 1**

The lens should be mounted into the Matte Box as shown in Fig. 1

The front of the lens should not be pushed too deep into the Matte Box in order not to collide with the filter holder - Fig. 2



**Fig. 2**