

Note: It is easier to add or remove filter stages if you first remove the shade from the matte box.

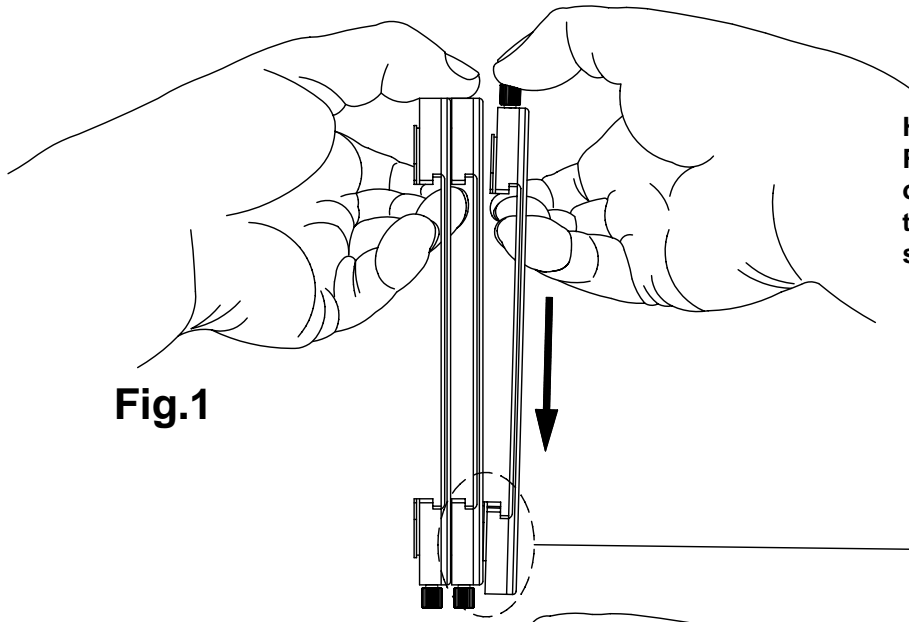


Fig.1

Hold the receiving stages as shown on Fig.1. Engage the spring loaded guide of the additional stage into the slot of the receiving stage, as shown on the section below, and push it down

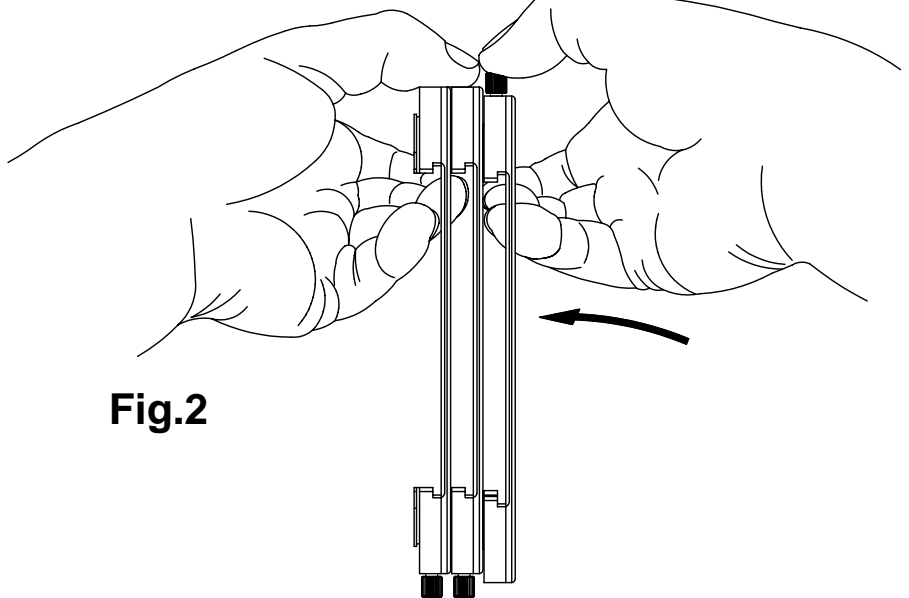
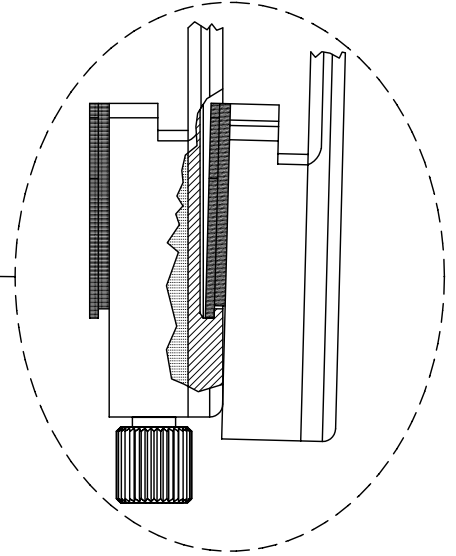


Fig.2

Push the additional stage towards the face of the receiving stage - Fig.2

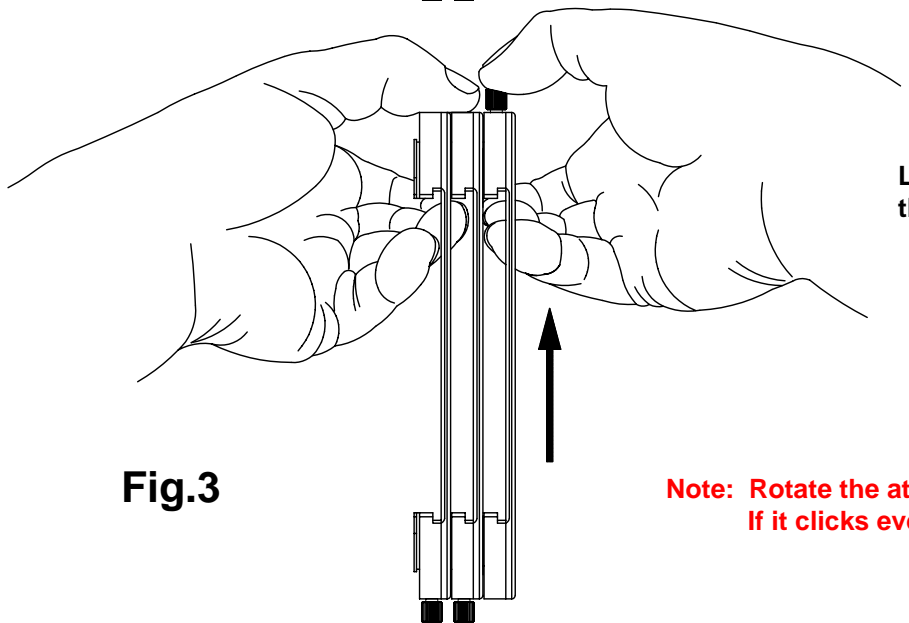


Fig.3

Lift the additional stage engaging it into the slot of the receiving stage - Fig.3

Note: Rotate the attached stage back and forth. If it clicks every 90 degrees, it is engaged properly.